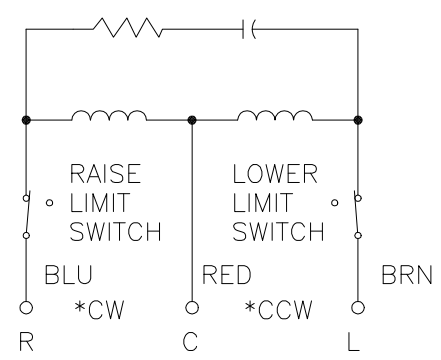
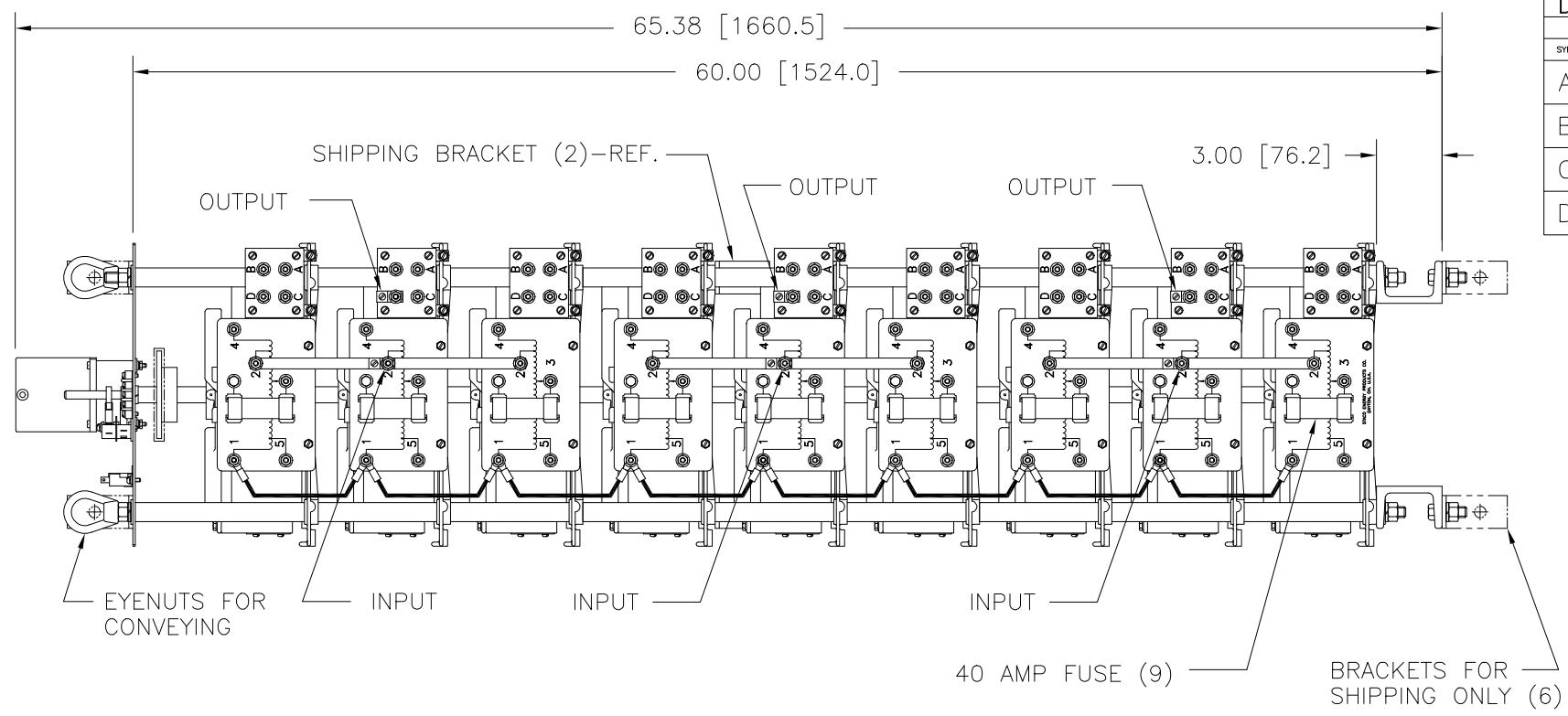
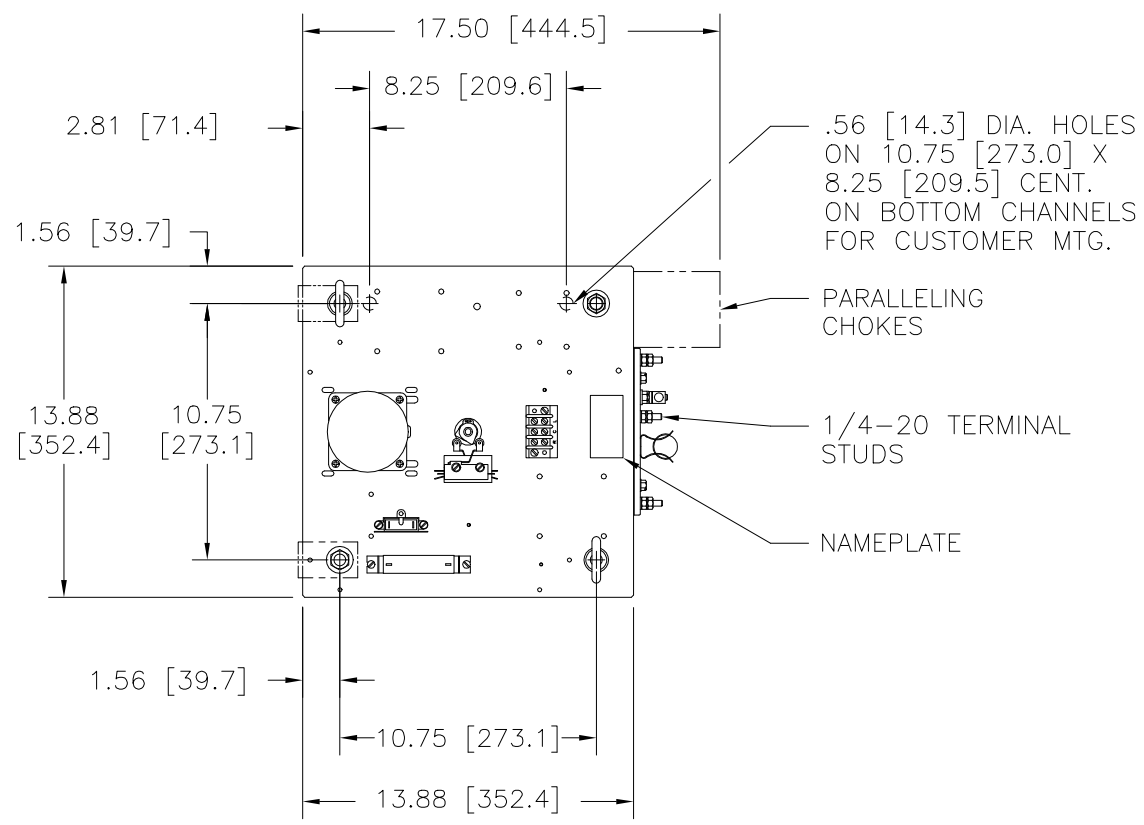


DWG. NO.	032-8420		
REVISIONS			
SYM.	E.C.N.	DATE	APVD.
A	17579	01OCT89	
REVISED & UPDATED			
B	21344	22APR91	
REVISED & UPDATED			
C	22730	16NOV94	
REVISED & REDRAWN			
D	24309	8/30/00	
REVISED & UPDATED			



MOTOR CIRCUIT

120V 50/60 HZ
 * ROTATION AS VIEWED FROM MOTOR END
 MOTOR SPEED : 60 SEC.

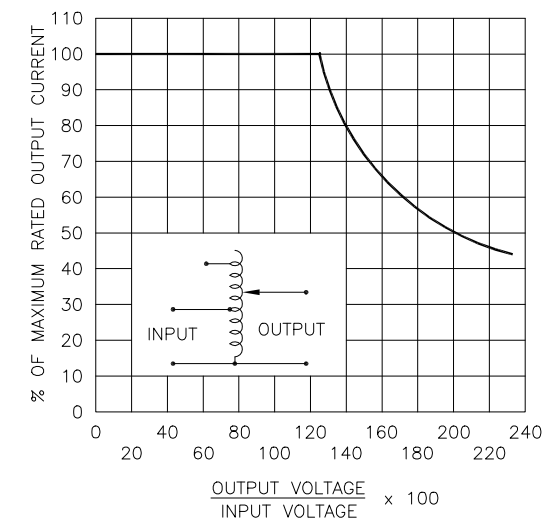
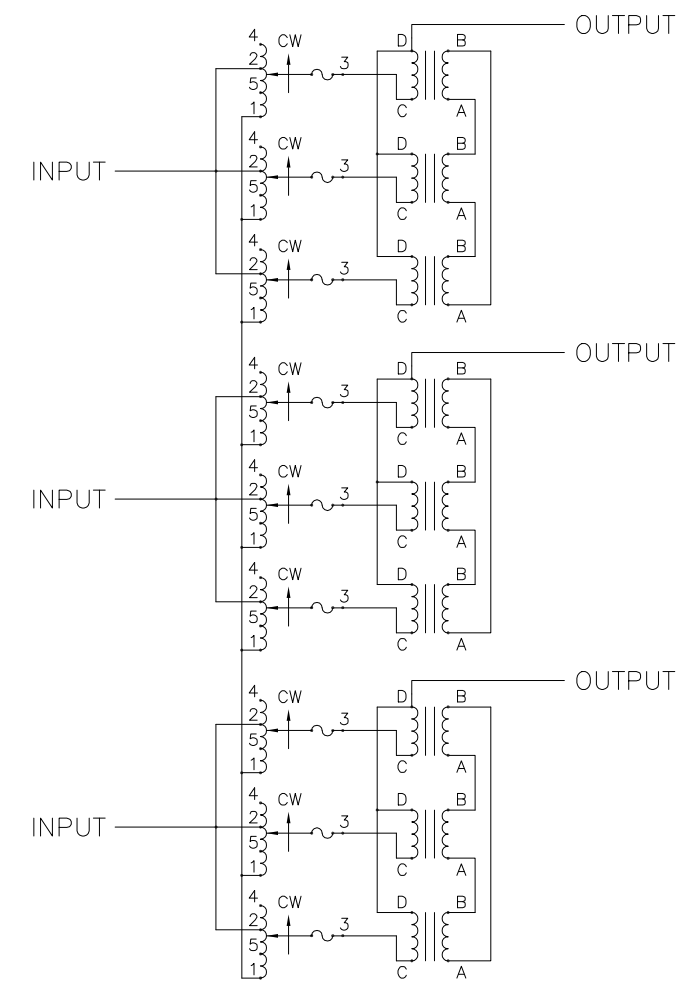


FIGURE A
 MAXIMUM OUTPUT CURRENT OF ANY DUAL INPUT VOLTAGE OR VOLTAGE DOUBLER UNIT OPERATED AT LOWER INPUT VOLTAGE.



SCHEMATIC

* MAXIMUM OUTPUT CURRENT IN OUTPUT VOLTAGE RANGE FROM 0 TO 25 % ABOVE LINE VOLTAGE. AT HIGHER OUTPUT VOLTAGES, OUTPUT CURRENT MUST BE REDUCED ACCORDING TO RATING CURVE, FIGURE A.

** MAXIMUM KVA AT MAXIMUM OUTPUT AND CORRESPONDING DE-RATED CURRENT. MAXIMUM KVA AT LOWER OUTPUT VOLTAGES MAY BE CALCULATED FROM RATING CURVE, FIGURE A.

V.D. = VOLTAGE DOUBLER.

SPECIFICATIONS									
WIRING	INPUT		OUTPUT		SHAFT ROTATION FOR INCREASE VOLTAGE	TERMINAL CONNECTIONS			
	VOLTS	HERTZ	VOLTS	CONSTANT CURRENT LOAD		FOR INCREASING VOLTAGE AS VIEWED FROM ROTOR END			
THREE PHASE WYE	480	50/60	0-480	105	87.2	CW	4-4-4	---	D-D-D
		60	0-560	105	101.7	CW	2-2-2	---	D-D-D
	240	60	0-560	105* V.D.	* 43.6	CW	5-5-5	---	D-D-D

UNLESS OTHERWISE SPECIFIED, TOLERANCE IS # DECIMALS HOLES .12 .002 ANGLES DRAFT 1° 1-1/2° UNITS IN [mm]

TITLE: SPEC. CONTROL DWG. MOTORIZED VARIABLE XFMR TYPE: 60M6020-9Y

MATERIAL: ALL DIMENSIONS APPLY AFTER PLATING

STACO ENERGY PRODUCTS CO. DAYTON, OHIO U.S.A.

DRAWN BY: T.A.HUFF DATE: 11/14/94 FIRST USED ON: DO NOT SCALE DWG. CUSTOMER APPROVAL: DATE:

CHECKER: DATE: WEIGHT APPROX. 828 1824.0 CODE IDENT. NO. 83008 DWG. NO. 032-8420

ENGINEER: DATE: SCALE .25=1 SHEET 1 OF 1